

Engineering Change Notice

Part No. <u>1088-1; 1088-2</u>	ECN No. <u>20-004</u>
Part Name <u>BATTERY CONTACT</u>	Date <u>1.17.20</u>
Rev. <u>—</u>	ECR No. <u>—</u>

Description of Change: Drawing Attached

ADD DIMPLE TO THE FRONT FLAT SURFACE, AS PER REF. DRAWING F1010-1

Solution: Tooling Change Required

REVISE C+M

Disposition of Parts:

U.A.I.

Signed RH Date 1.17.20

Required Distribution:

Engineering Quality Control Purchasing Manufacturing/Supplier

Chief Engineer: _____ Remarks: _____

Signed _____ Date 1.17.20

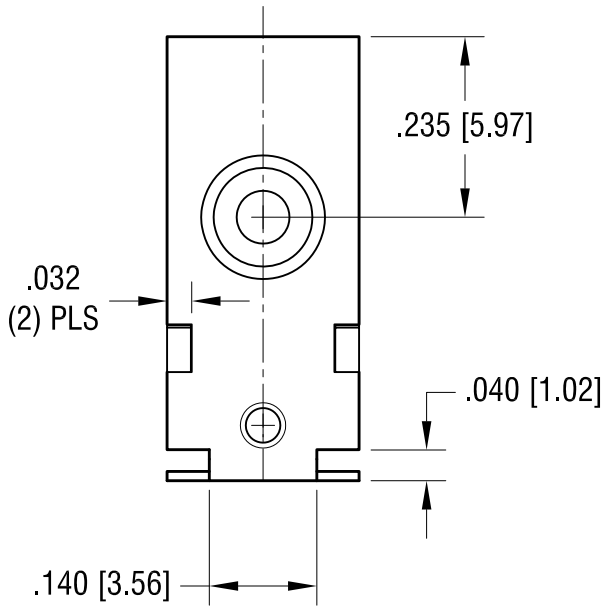
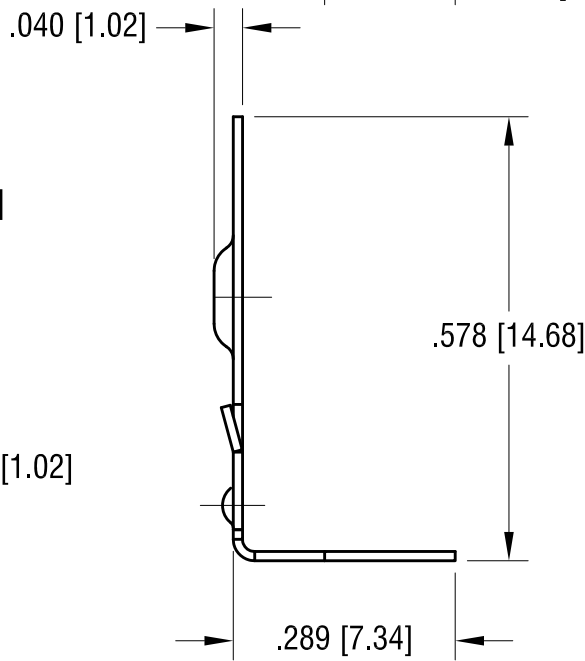
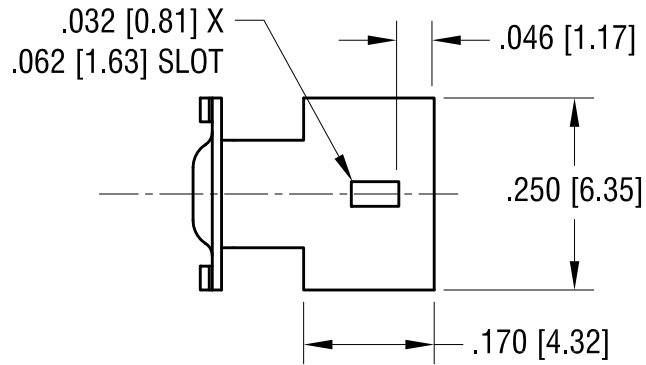
Document Control: _____ Rev. A

Change Incorporated Signed NATASHA T. Date 1.17.20

THIS DOCUMENT IS THE PROPERTY OF
KEYSTONE ELECTRONICS CORP. AND
SHALL NOT BE REPRODUCED, DISTRIBUTED
OR USED AS A BASIS FOR MANUFACTURE
WITHOUT PRIOR WRITTEN PERMISSION
FROM KEYSTONE ELECTRONICS CORP.



ACTUAL SIZE"



KEYSTONE ELECTRONICS CORP.

www.keyelco.com • NEW HYDE PARK, NY 11040 • Tel (516) 328-7500

PART NAME

SM POSITIVE BATTERY CONTACT

MATERIAL

.012 [0.30] TH'K STAINLESS STEEL

FINISH

GOLD PLATE

DRN BY

NT

DATE

6.7.16

APP'D

RH

SCALE

4X

TOLERANCES

INCH [MM]

DECIMAL

± .005 [± 0.13]

ANGULAR

± 1°

UNLESS OTHERWISE SPECIFIED

CODE

C

DWG NO.

1088-1

ADD DIMPLE

1.17.20 CHANGE AS PER ECN 20-004

A

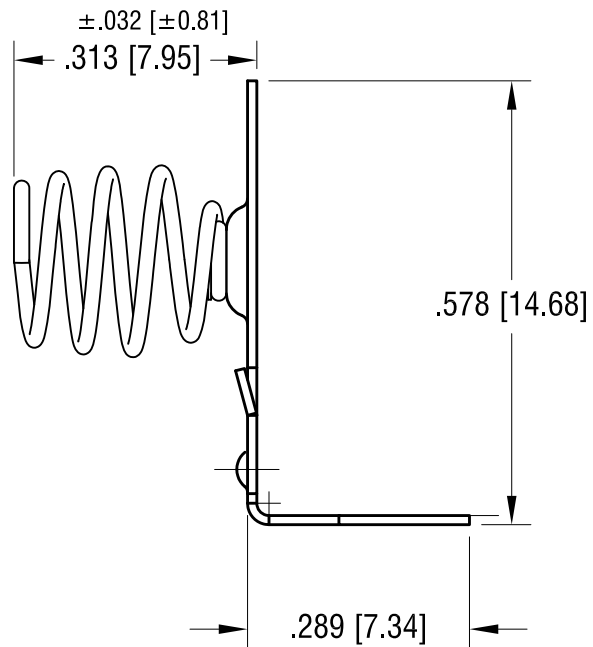
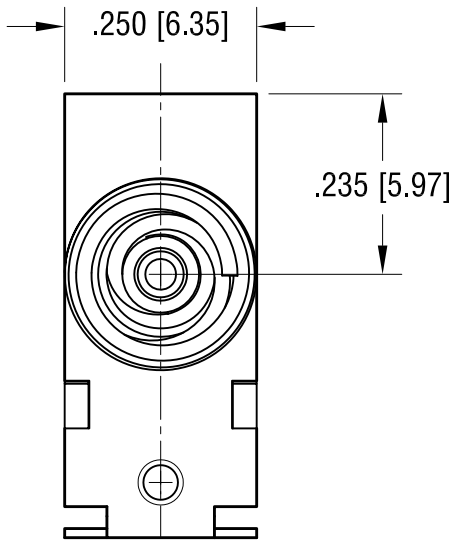
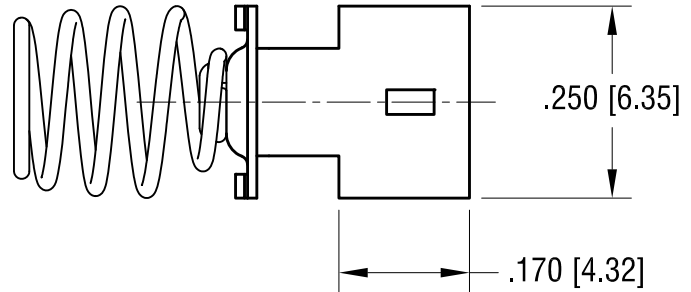
REV.

DATE

DESCRIPTION

THIS DOCUMENT IS THE PROPERTY OF
KEYSTONE ELECTRONICS CORP. AND
SHALL NOT BE REPRODUCED, DISTRIBUTED
OR USED AS A BASIS FOR MANUFACTURE
WITHOUT PRIOR WRITTEN PERMISSION
FROM KEYSTONE ELECTRONICS CORP.

ACTUAL SIZE"



NOTE:

1. BASE: MAT'L- .012 [0.30] TH'K STAINLESS STEEL
2. SPRING: MAT'L- .020 [0.50] DIA, MUSIC WIRE
3. SPRING EYELETED TO THE BASE

1.17.20	ADD DIMPLE CHANGE AS PER ECN 20-002	A
DATE	DESCRIPTION	REV.

KEYSTONE ELECTRONICS CORP.			
www.keyelco.com • NEW HYDE PARK, NY 11040 • Tel (516) 328-7500			
PART NAME			
SM NEGATIVE BATTERY CONTACT			
MATERIAL			
AS NOTED			
FINISH		DRN BY	DATE
GOLD PLATE		NT	7.07.17
		APP'D	SCALE
		RH	4X
TOLERANCES	INCH [MM]	CODE	DWG NO.
DECIMAL	± .005 [± 0.13]	C	1088-2
ANGULAR	± 1°		
UNLESS OTHERWISE SPECIFIED			